

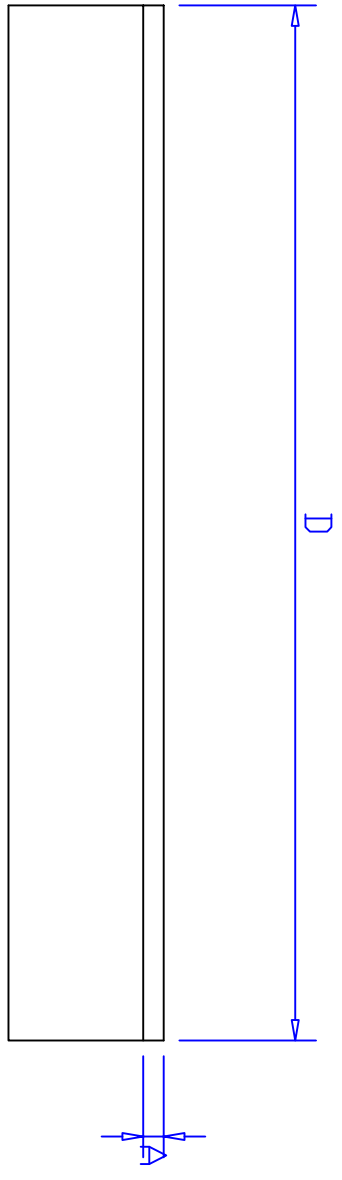
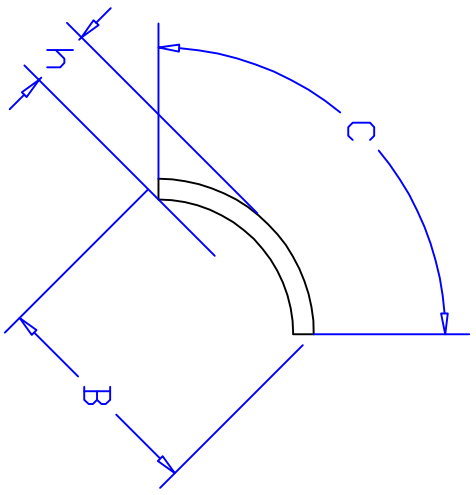
Issue	Change Note	App'd	Date
1	h Added	RML	26/1/10

Alpha Cure Ltd  
 General Tolerance  $\pm 0.2$   
 Unless Otherwise Stated.

Drawn By:  
RML  
 Checked By:

Date:  
14/08/09  
 Scale:

Material:  
See Drg  
 DWG No: RF-001-TEMP



A = .....mm

B = .....mm

C = .....mm

D = .....mm

h = .....mm

REFLECTOR.....

FILTER.....

MATERIAL:

QUARTZ.....

BORA SILICA.....

DICHRDIC.....

